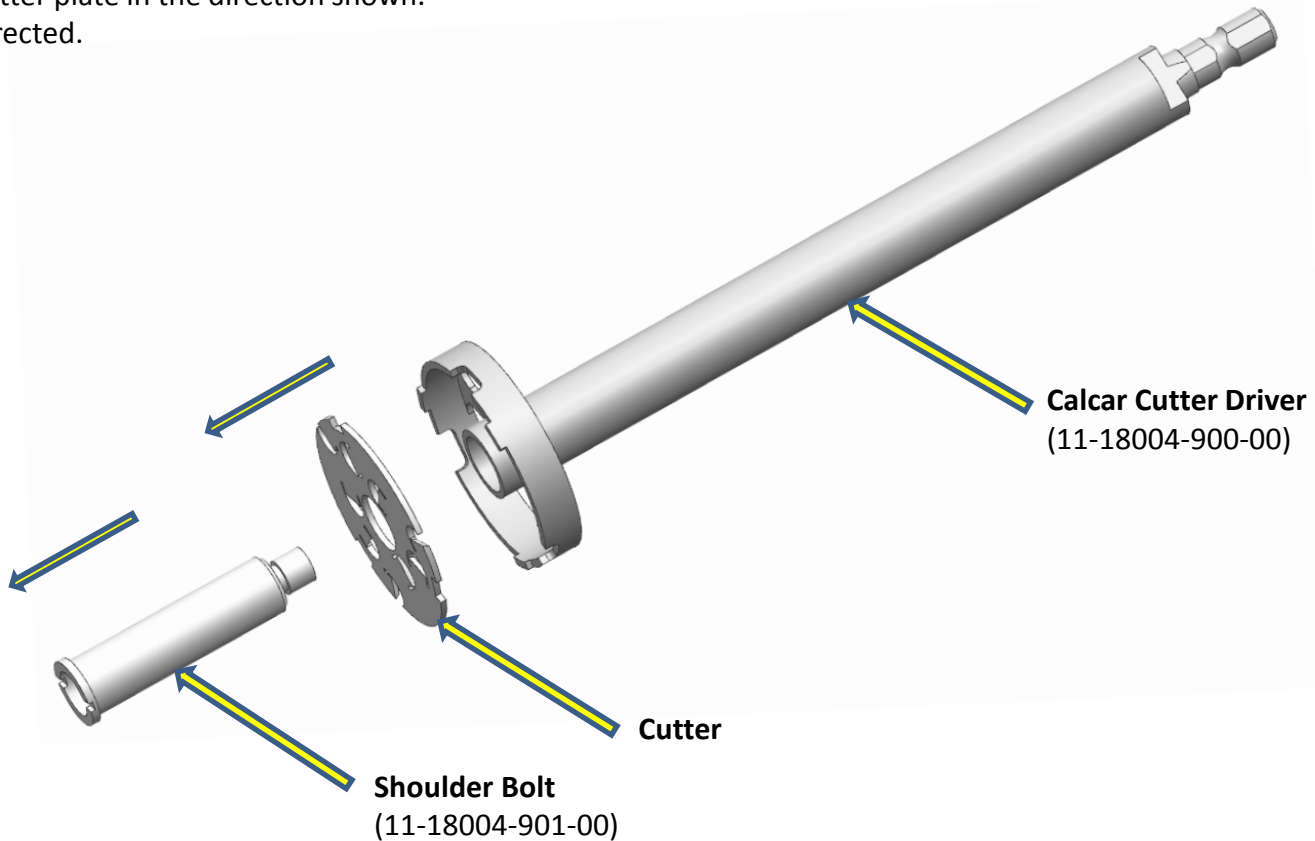


Part Number(s)	11-18004-900-00	Description	Disassembly Instructions: Calcar Reamer
----------------	-----------------	-------------	---

Disassembly for cleaning:

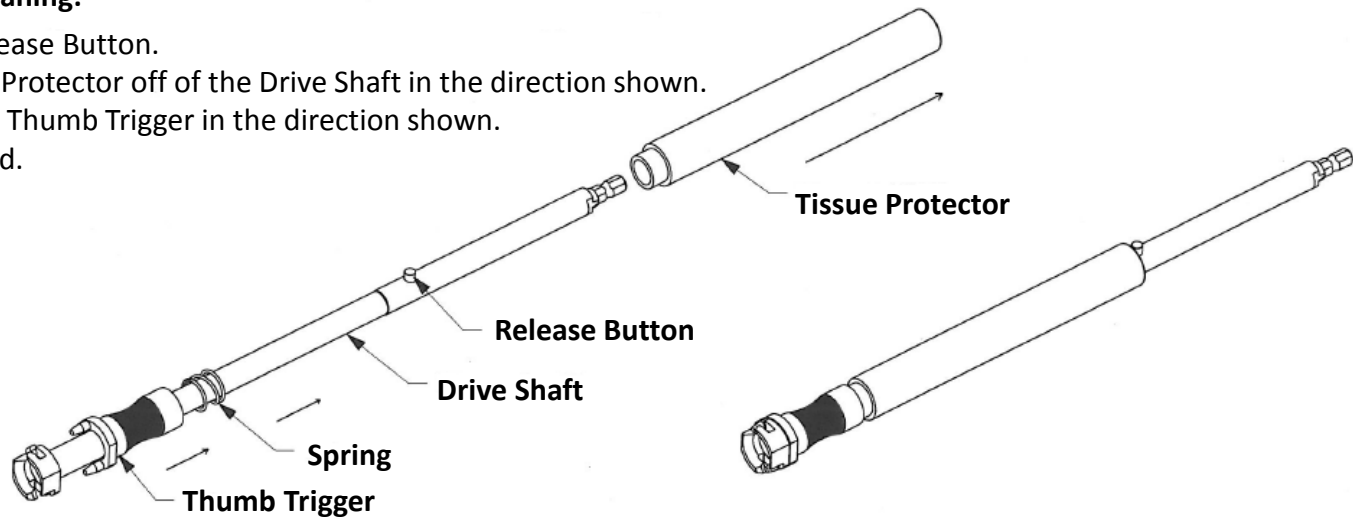
1. Using T-Wrench (11-18004-910-00) unscrew Shoulder Bolt from Driver and remove in the direction shown.
2. Remove Cutter plate in the direction shown.
3. Clean as directed.



Part Number(s)	11-18104-900-00	Description	Disassembly Instructions: Acetabular Reamer Driver, Straight
----------------	-----------------	-------------	--

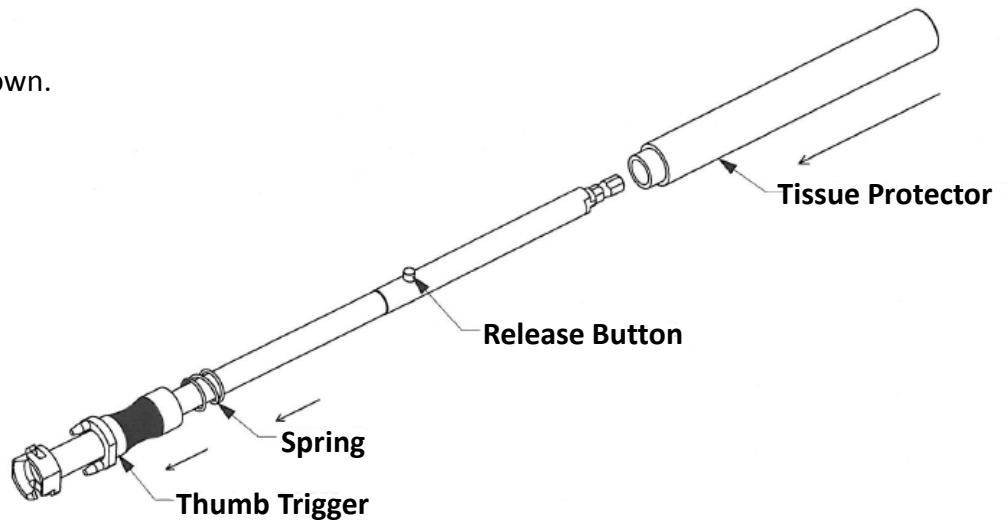
Disassembly for cleaning:

1. Depress the Release Button.
2. Slide the Tissue Protector off of the Drive Shaft in the direction shown.
3. Slide Spring and Thumb Trigger in the direction shown.
4. Clean as directed.



Assembly:

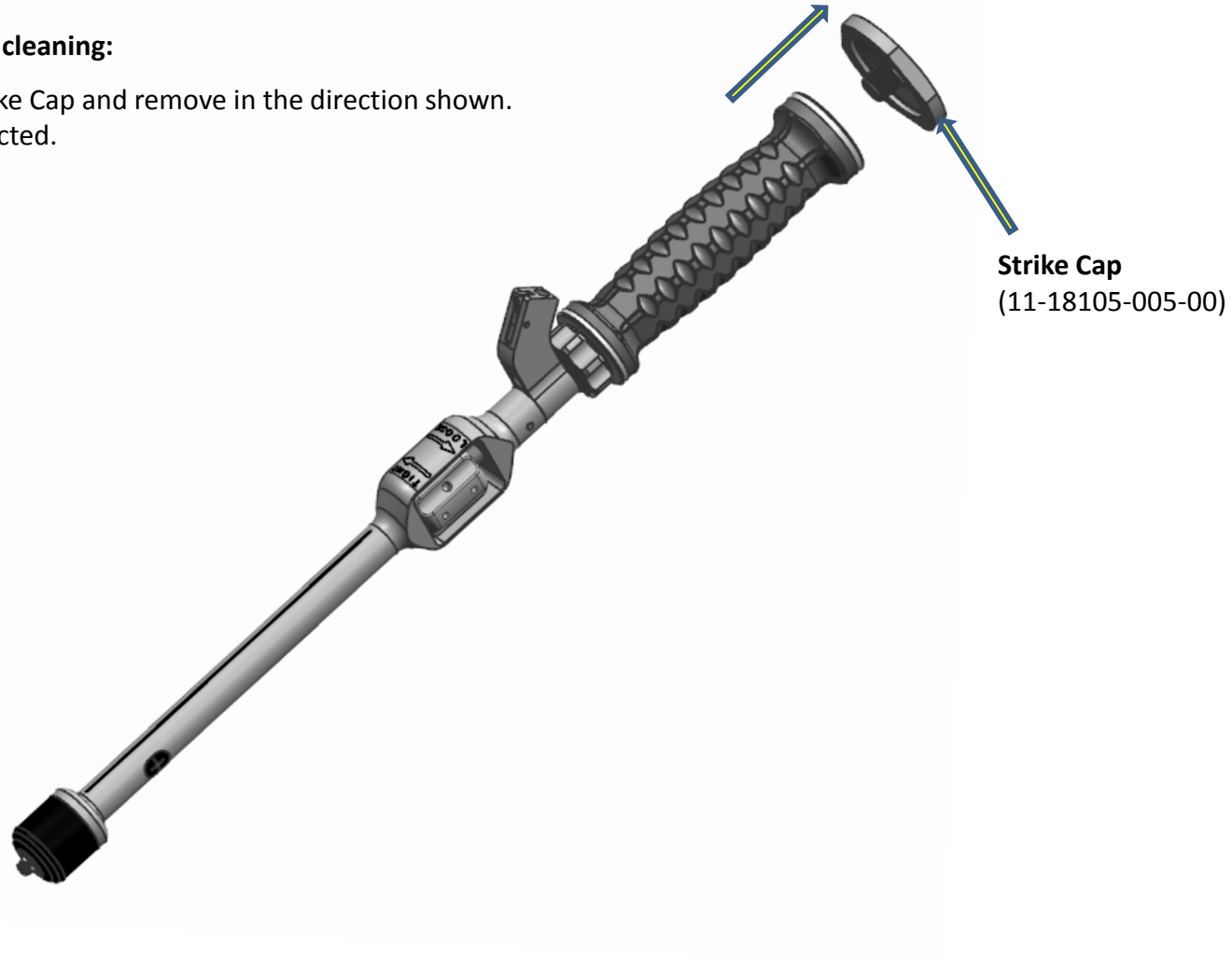
1. Slide the Spring and Trigger in the direction shown.
2. Depress the Release Button.
3. Slide the Tissue Protector onto the Shaft.
4. Release the Button.



Part Number(s)	11-18105-000-00	Description	Disassembly Instructions: Acetabular Cup Impactor Handle
-----------------------	-----------------	--------------------	--

Disassembly for cleaning:

1. Unscrew Strike Cap and remove in the direction shown.
2. Clean as directed.



Part Number(s)	11-18110-900-00	Description	Disassembly Instructions: Depth Gauge
----------------	-----------------	-------------	---------------------------------------

Disassembly for cleaning:

1. Pull Nose Cone from Sleeve and remove in the direction shown.
2. Slide Sleeve off in the direction shown.
3. Clean as directed.

